



OSB-1 Outlaw Sound Bar

Amplified Soundbar with DSP Surround
and H-PAS Bass

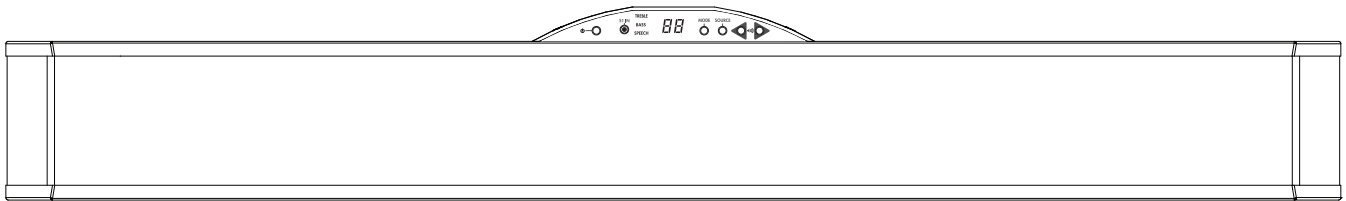


Table of Contents

- 2 Important Safety Instructions**
- 3 OSB-1 Outlaw Sound Bar**
- 3 Introduction
- 3 Description
- 3 What's in the Box?**
- 4 Front Control Panel**
- 5 Rear Connection Panel**
- 6 Remote Control**
- 7 Placement**
- 7 Speaker Placement and Home Theater
- 8 Setting Display for Orientation
- 8 Rotating Grille for Orientation
- 9 Connecting Your System**
- 9 Digital Audio Inputs
- 9 Analog Audio Inputs
- 9 Turning Off Your TV's Internal Speakers
- 11 Modes**
- 11 Surround Modes
- 11 Speech Enhancement
- 12 Troubleshooting**
- 12 F.A.Q.**
- 13 Advanced Operations**
- 13 Control Panel Tone Controls
- 13 Subwoofer Output
- 13 Front Panel Controls Disable aka "Parental Lock"
- 13 Restore Factory Defaults
- 13 Remote Commands**
- 14 Care of Your Speaker**
- 14 Specifications**
- 15 Warranty**

Important Safety Instructions

This product was designed and manufactured to meet strict quality and safety standards. There are, however, some installation and operation precautions which you should be particularly aware of.

1. Read Instructions. All the safety and operating instructions should be read before the system is operated.
2. Retain Instructions. The safety and operating instructions should be retained for future reference.
3. Heed Warnings. All warnings on the appliances and in the operating instructions should be adhered to.
4. Follow Instructions. All operating and use instructions should be followed.
5. Cleaning. Unplug the appliance from wall outlet before cleaning. Do not use liquid cleaners or aerosol cleaners. Use a damp cloth for cleaning.
6. Attachments. Do not use attachments not recommended by the product manufacturer as they may cause hazards.
7. Water and Moisture. Do not use these appliances near water: for example, near a bath tub, washbowl, kitchen sink, or laundry tub, in a wet basement, or near a swimming pool, and the like.
8. Accessories. Do not place these appliances on an unstable stand, bracket, or table. The products may fall, causing serious injury to a child or adult, and serious damage to the products. Any mounting of the appliances should follow the manufacturer's instructions, and should use mounting accessories recommended by the manufacturer.
9. Power Sources. This product should be operated only from the type of power source indicated on the marking labels. If you are not sure of the type of power supply to your home, consult your appliance dealer or local power company.
10. Grounding or Polarization. This product may be equipped with polarized alternating-current line plugs (plugs having one blade wider than the other).

This plug will fit into the power outlet only one way. This is a safety feature. If you are unable to insert the plug fully into the outlet, try reversing the plug. If the plug should still fail to fit, contact your electrician to replace your obsolete outlet. Do not defeat the safety purpose of the polarized plug.

11. Power Cord Protection. Power-supply cord should be routed so that it is not likely to be walked on or pinched by items placed upon or against it, paying particular attention to cords at plugs, convenience receptacles, and the point where they exit from the appliances.
12. Lightning. Unplug the product from the wall outlet for added protection during a lightning storm, or when it is left unattended and unused for long periods of time. This will prevent damage to the product due to lightning and power-line surges.
13. Overloading. Do not overload wall outlets and extension cords as this can result in a risk of fire or electric shock.
14. Object and Liquid Entry. Never push objects of any kind into this product through openings, as they may touch dangerous voltage points or short out parts that could result in a fire or electric shock. Never spill liquid of any kind on this product.
15. Servicing. Do not attempt to service this product yourself, as opening or removing covers may expose you to dangerous voltage or other hazards. Refer all servicing to qualified service personnel.
16. Damage Requiring Service. Unplug this product from wall outlets and refer servicing to qualified service personnel under the following conditions:
 - a. When the power supply cord or plug is damaged.
 - b. If liquid has been spilled, or objects have fallen into the product.
 - c. If the product has been exposed to rain or water.
 - d. If the product does not operate normally by following the operating instructions. Adjust only those controls that are covered by the operating instructions, as an improper adjustment of other controls may result in damage and will often require extensive work by a qualified technician to restore the product to its normal operation.
 - e. If the product has been dropped or the cabinet has been damaged.
 - f. When the product exhibits a distinct change in performance this indicates a need for service.
17. Replacement Parts. When replacement parts are required, be sure the service technician has used replacement parts specified by the manufacturer or that the parts have the same characteristics as the original part. Unauthorized substitutions may result in fire, electric shock or other hazards.



CAUTION: Danger of EXPLOSION if battery is incorrectly replaced. Replace only with the same or equivalent type. (CR2025)



WARNING: Do not expose batteries or battery pack to excessive heat such as sunshine, fire or the like.

18. Safety Check. Upon completion of any service or repairs to this product, ask the service technician to perform safety checks to determine that the products are in proper operating condition.

19. This product is not intended for use outdoors.



CAUTION: To prevent electric shock, match wide blade of plug to wide slot, insert fully.



CAUTION: No naked flame sources, such as candles, should be placed on the apparatus.

PRODUCT DISPOSAL: Certain international, national and/or local laws and/or regulations may apply regarding the disposal of this product.



For further detailed information, please contact the retailer where you purchased this product or the Outlaw Audio Importer/Distributor in your country. A listing of Outlaw Audio Importer/Distributors can be found on the Outlaw Audio website www.atlantictechology.com or by contacting Outlaw Audio at: 343 Vanderbilt Avenue, Norwood, MA 02062, USA. Phone: 781.762.6300.

NOTE: This equipment has been tested and found to comply with the limits for a Class B digital device, pursuant to part 15 of the FCC Rules. These limits are designed to provide reasonable protection against harmful interference in a residential installation. This equipment generates, uses and can radiate radio frequency energy, and, if not installed and used in accordance with the instructions, may cause harmful interference to radio communications. However, there is no guarantee that interference will not occur in a particular installation. If this equipment does cause harmful interference to radio or television reception, which can be determined by turning the equipment off and on, the user is encouraged to try to correct the interference by one or more of the following measures:

- Reorient or relocate the receiving antenna.
- Increase the separation between the equipment and receiver.
- Connect the equipment into an outlet on a circuit different from that to which the receiver is connected.
- Consult the dealer or an experienced technician for help.

OSB-1 Outlaw Sound Bar

Introduction

Thank you for choosing Outlaw Audio products. Your new speaker components are precision-crafted to give you years of enjoyable, trouble-free service. This manual covers the Outlaw Audio OSB-1 speaker system. This speaker can be used with all current and past sound formats including Stereo, Dolby Surround®, Pro Logic II®, Dolby Digital 7.1 and 5.1®, Dolby Digital EX®, DTS®, DTS ES®, DTS ES Discrete®, DTS Neo:6®, DVD-Audio and SACD Audio.

IMPORTANT: Although it may seem like asking for driving directions, please take a few moments to read all of this booklet. It has many helpful tips and ideas on properly setting up and using your system. We promise that if you take the time to read and follow these tips you'll get better system performance and more enjoyment.

Description

The OSB-1 Outlaw Sound Bar is a 42"-long self-powered soundbar that delivers multi-channel high-fidelity sound for your home entertainment system. It features Atlantic's patented H-PAS bass system, which produces deep, distortion-free bass without the need for a subwoofer!

Using just two 4" woofers, the OSB-1 Outlaw Sound Bar reaches down to a solid 47 Hz at very high theater-like SPLs, for an absolutely convincing and totally satisfying sonic experience. Because of its extended frequency response and dynamics the OSB-1 Outlaw Sound Bar is the first soundbar where the subwoofer is truly optional. You no longer have to deal with the "black box on the floor." This represents a quantum leap forward in both acoustic technology and user convenience.

The OSB-1 is powered by an on-board amplifier that supplies 80 total watts RMS. It also boasts sophisticated Digital Signal Processing with Dolby Digital® and DTS that effectively develops a 2, 3 or 5 channel experience for total listener immersion in the video program. Dolby and DTS signals are automatically identified and selected by the system. Included is a simple remote control, but can also be used with most universal remotes.

In addition to its ground-breaking bass capabilities, the OSB-1 Outlaw Sound Bar's digital display can be "flipped" to read correctly whether the unit is sitting on a table or inverted on a flat-screen mount.

Unpacking the Speaker

Use care when unpacking the speaker. Remember to keep the original box and packing material, in the unlikely event the speaker needs servicing, or if you move.

For Future Reference

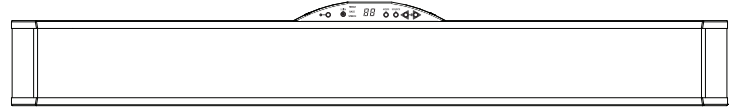
Record the serial number and date of purchase of the speaker here. The serial number is found on the back of the enclosure.

Serial Number _____

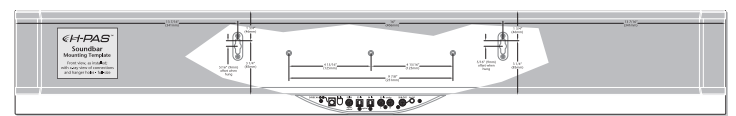
Date of Purchase _____

What's in the Box?

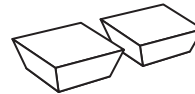
1 OSB-1 Outlaw Sound Bar



1 OSB-1 Mounting Template



2 tall feet



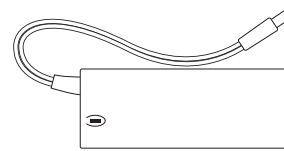
4 short feet



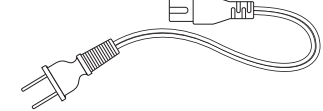
1 Optical Cable



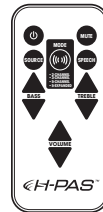
AC Power Supply



Power Supply Cable



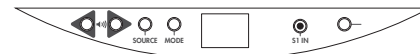
Remote Control (battery included)



Quick Start Guide

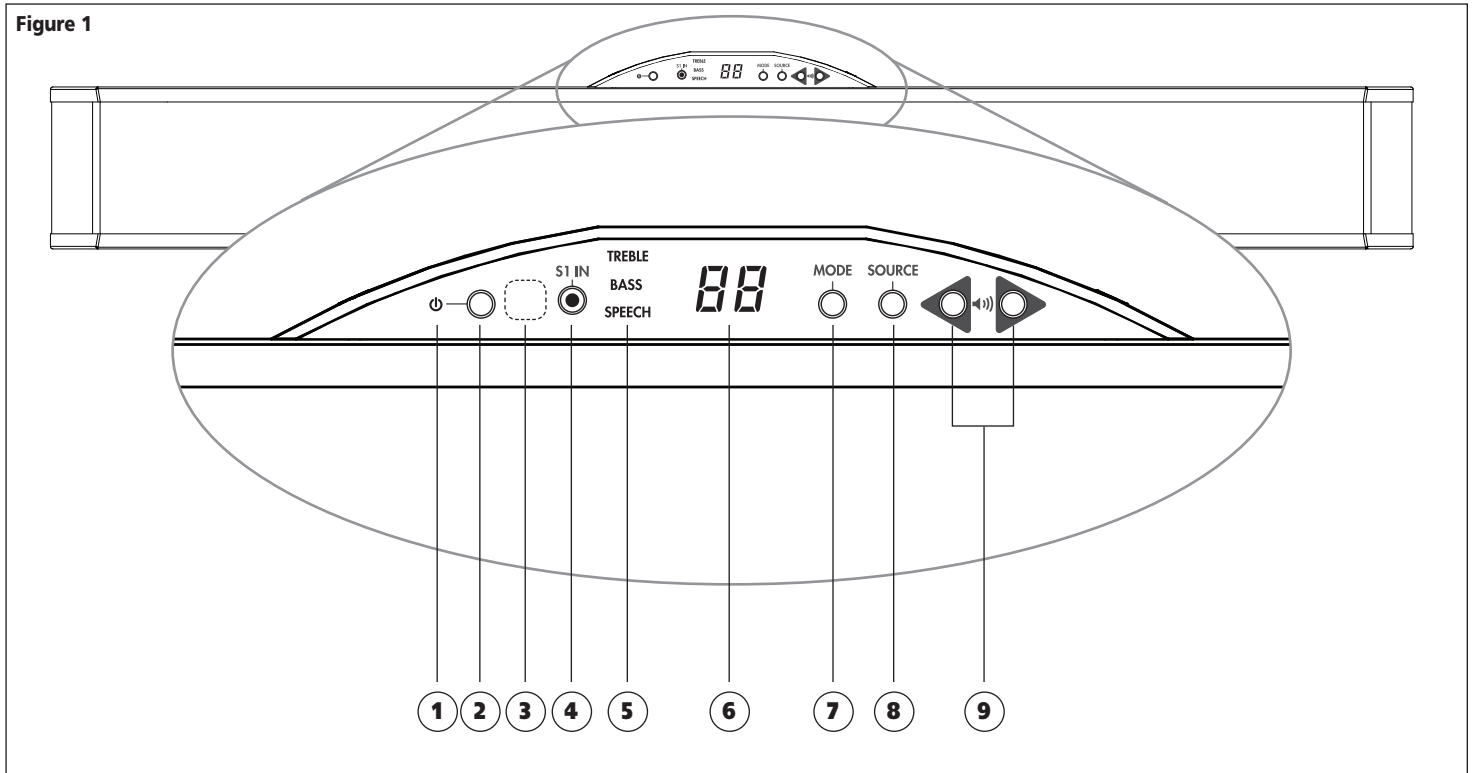


Inverse Control Panel Label



Front Control Panel

Figure 1



1 Power Status LED

This will be green for ON condition, amber for STANDBY.

Power/Mute Button

- 2** When OSB-1 is in STANDBY, press momentarily to turn unit ON. When OSB-1 is ON, press momentarily to toggle MUTE. When OSB-1 is ON, press and hold to turn unit to STANDBY.

IR Receiver

- 3** Allows control of unit by included IR remote or Universal Remote.

Source 1 (S1) Input

- 4** Front accessible 1/8" mini phono jack input for portable device such as an iPod, MP3 player or mobile device.

Acoustic Controls Status Display

- 5** These status displays will illuminate when adjusting TREBLE or BASS or when SPEECH ENHANCEMENT is on. Use the remote to make these adjustments. *For adjustment of these controls from Front Control Panel see Advanced Operation on pg. 13.*

6 Central Display

This 2-character display offers feedback on various operations including volume, source selection.

7 Mode Button

Momentarily press to cycle through various surround modes. See page 11 for details on surround modes. *Also used to adjust Tone Controls (see pg. 13).*

8 Source Button

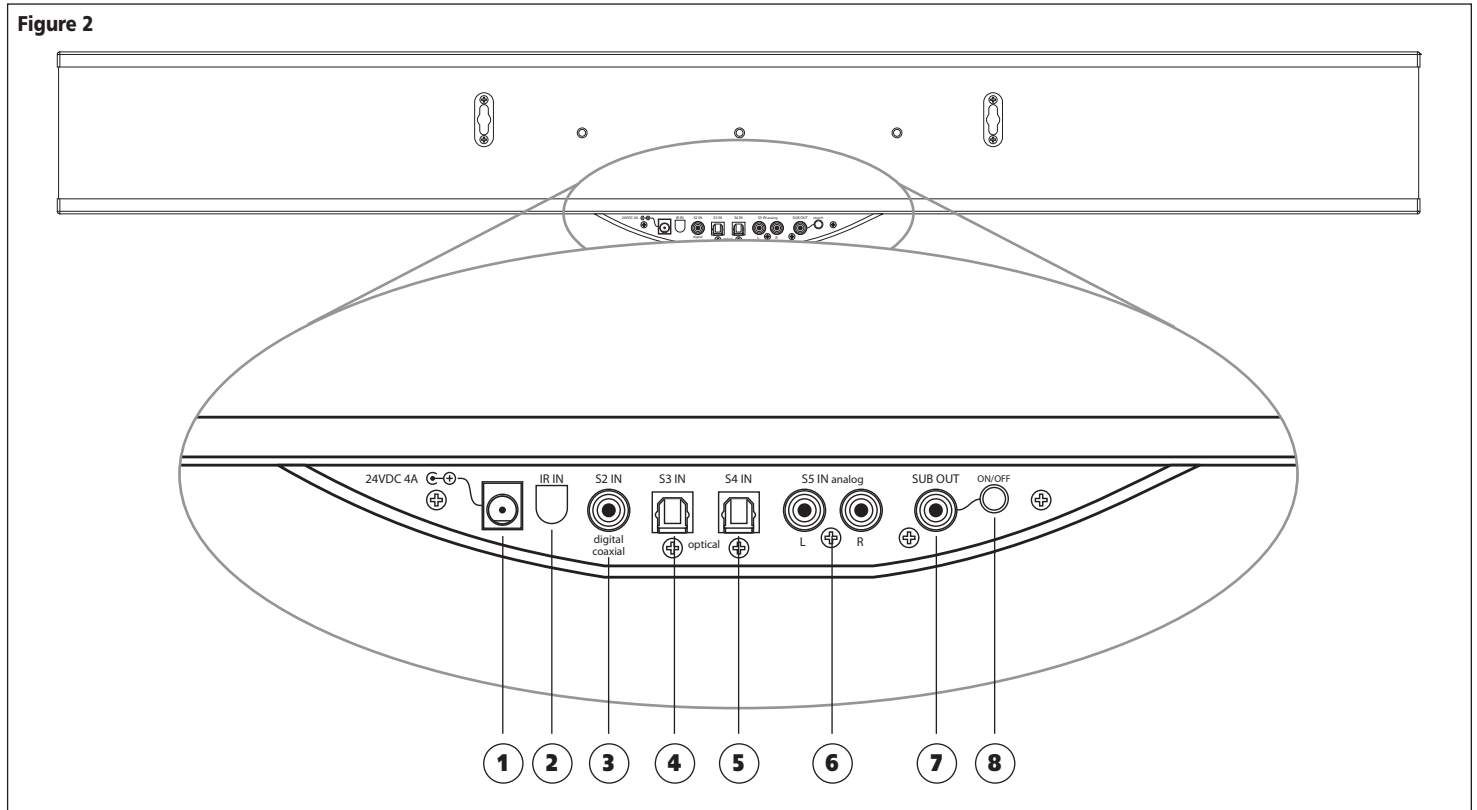
Momentarily press to cycle through different Sources. Central Display will confirm source by temporarily displaying selected source (S1 through S5).

9 Volume Up/Down Buttons

Press to adjust volume. Max volume is 30. *Also used to adjust Tone Controls (see pg. 13)*

Rear Connection Panel

Figure 2



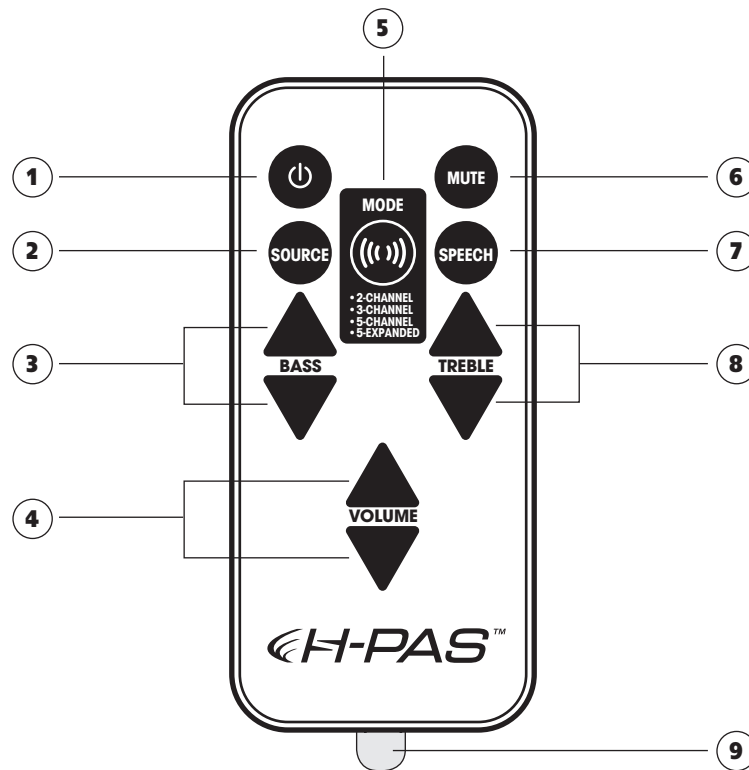
- 1 Power Input**
24Volt DC 4Amp input for power. Use only with appropriate power supply.
- 2 Rear IR Receiver**
This rear facing IR window is designed for the application of an adhesive IR flasher (emitter). Flasher not included.
- 3 Source 2 (S2) Input**
Digital Coaxial Audio Input. For sources with Coaxial (RCA) style digital outputs.
- 4 Source 3 (S3) Input**
First of two Digital Optical Audio Inputs. For sources with Optical (Toslink) style digital outputs.
- 6 Source 4 (S4) Input**
Second of two Digital Optical Audio Inputs. For sources with Optical (Toslink) style digital outputs.
- 6 Source 5 (S5) Input**
Analog Stereo Audio Input. For sources without digital outputs.
- 7 Sub Out**
Analog LFE audio output for connection to an optional subwoofer.
- 8 Sub Out On/Off Button**
Button toggles Sub Out On/Off. When unit is in STANDBY, press and hold to turn Sub On (display will read "S1") or Sub Off (display will read "S0").

Remote Control

The OSB-1 has 3 options for working with remote controls.

- The dedicated remote control provided with your system.
- Universal remote controls. We have provided the source code required for programming many universal remote controls. (this may need to be programmed by a professional custom installer)
- Multi device remote controls that are pre-programmed to be used with many devices, such as ones provided by many cable or satellite TV providers. If your multi-device remote control has the ability to control an audio receiver then it will most likely allow you to operate the basic functions of the OSB-1. Simply follow the instructions for the remote control and use the code provided for Marantz receivers. The functions accessible are: On/Off, Mute, Volume Up/Down

Figure 3



- 1 Power Button**
Press to toggle OSB-1 between ON and STANDBY.
- 2 Source Button**
Press to cycle through different Sources.
- 3 Bass Adjustment Buttons**
Press buttons to adjust Bass output incrementally up or down. Maximum adjustment of +/- 8dB in 1dB increments.
- 4 Volume Buttons**
Press buttons to adjust volume up or down. Max volume is 30.
- 5 Mode Button**
Momentarily press to cycle through various surround modes. See page 11 for details on surround modes.
- 6 Mute Button**
Mutes audio output. Press to toggle mute on/off.
- 7 Speech Enhancement Button**
Press to toggle Speech Enhancement on/off. Speech Enhancement circuit adjusts audio to increase intelligibility in environments with excessive background noise.
- 8 Treble Adjustment Buttons**
Press buttons to adjust Treble output incrementally up or down. Maximum adjustment of +/- 8dB in 1dB increments.
- 9 Battery Tab**
This clear plastic tab must be removed to allow remote to operate. Pull tab from remote and discard.

Placement

Speaker Placement and Home Theater

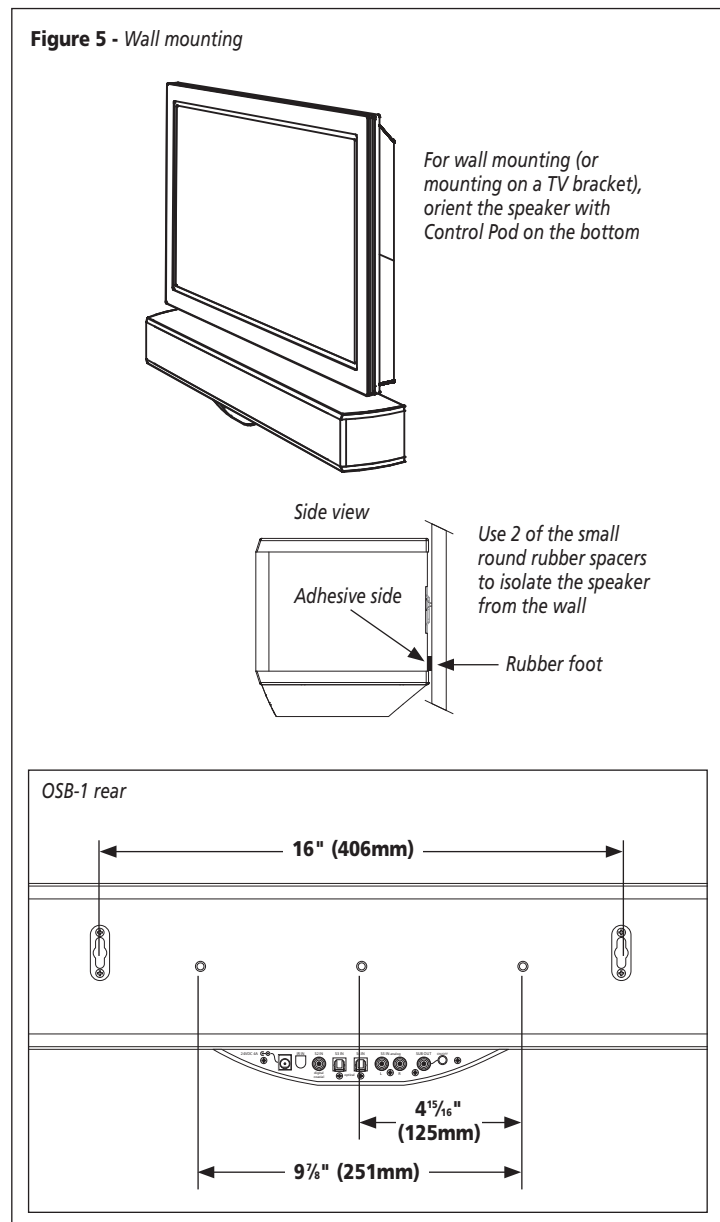
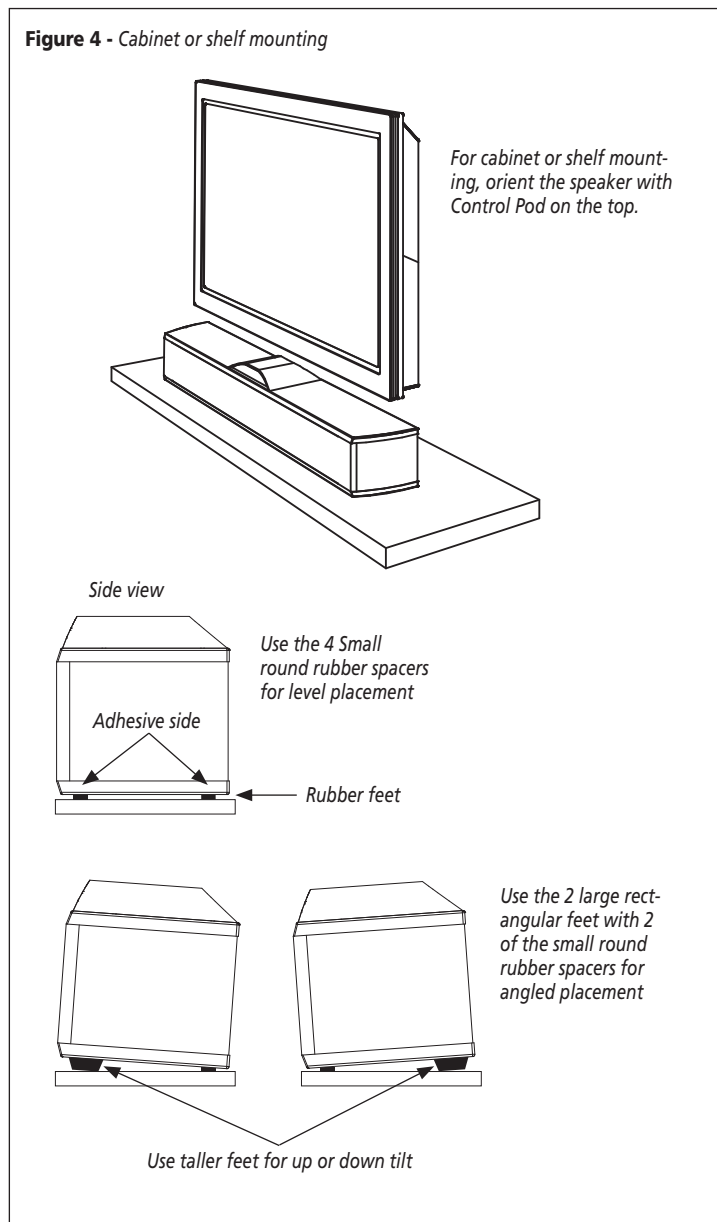
Remember that the primary goal of a good home theater is not to make you believe that you are in a movie theater. It's to make you believe you're in the movie. For a home theater system, place the OSB-1 speaker either above or below your flat screen display, centered horizontally.

The OSB-1 can be used as a set-top or shelf-mounted speaker. Self-adhesive rubber feet are included to prevent vibration, protect the mounting surface and serve to angle the speaker up or down if needed. See Figure 4.

You may also simply mount the speaker to the wall using the built-in keyhole brackets or attach it to a suitably equipped articulating flat-panel TV wall mount via the threaded inserts on the rear panel of the OSB-1. See Figure 5.

CAUTION: Because of the high quality components used, the OSB-1 speaker is very heavy for its size and care must be used when hanging it. Be sure to use a strong screw to drive into the wall, one whose head and shaft will fit properly within the keyhole opening and slot. Also be sure to drive the screw directly into a stud or to use a mounting device (such a molly-bolt) that is capable of safely holding the speaker's weight. Never simply drive a nail or screw into sheet rock or other wall materials, as this mounting method may not be sufficient to safely support the weight of the speaker.

NOTE: Always consult a knowledgeable installer regarding the proper mounting hardware to use with your speakers. Mounting the speaker safely and securely is the responsibility of the owner.



Placement

Setting Display for Orientation

Before you begin setup of your system, you must determine the orientation you want to use for your OSB-1. The OSB-1 can be oriented with the Control Pod on either the TOP or the BOTTOM of the unit. The OSB-1 comes pre-configured for use with the Control Pod on Top. If are planning to use the OSB-1 on a shelf or cabinet or wall-mounted above a TV, this is the orientation you will use.

If you plan to mount your OSB-1 on the wall or bracket underneath a TV, you may need to set your orientation for the Control Pod on the BOTTOM. See Figure 6 below.

NOTE: It is important that the unit be set for correct orientation. Doing so is essential for display to operate properly and to keep correct Left-to-Right speaker orientation.

Rotating Grille for Orientation

Once you have swapped the Control Panel Label and reconfigured the display, the last thing you will need to do is remove and rotate the grille so that the logos are in the correct orientation. To do so, gently pry the grille free from the cabinet starting at both ends. Continue to gently pry the grill off moving towards the center of the cabinet. Do not use a tool or pick as this may damage the cabinet.

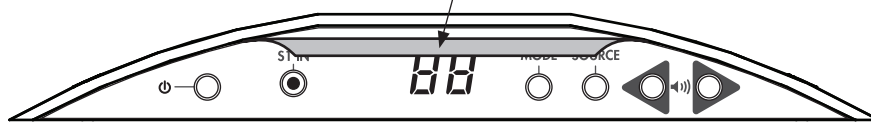
Once the grille is free, rotate and reattach. Make sure to line up the grille trees with the mounting cups. Press firmly until the grille is once again flush with the cabinet.

Figure 6

Reconfiguring unit for Control Pod on Bottom

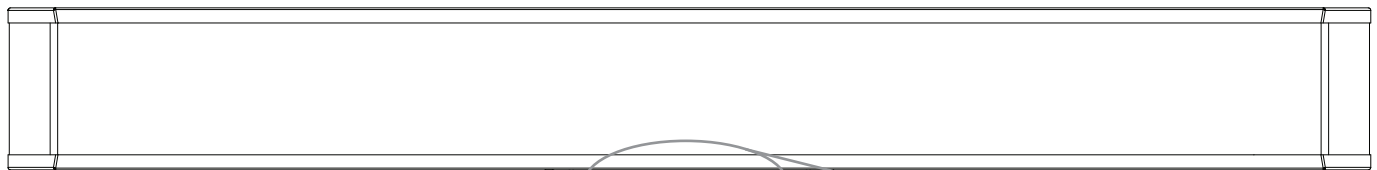
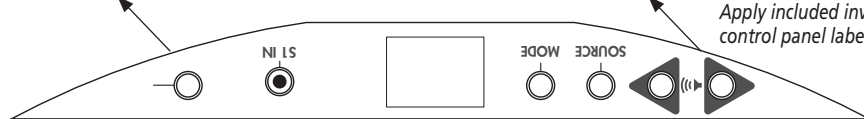
Step 1

Remove label from Front Control Panel by peeling down from the edge.



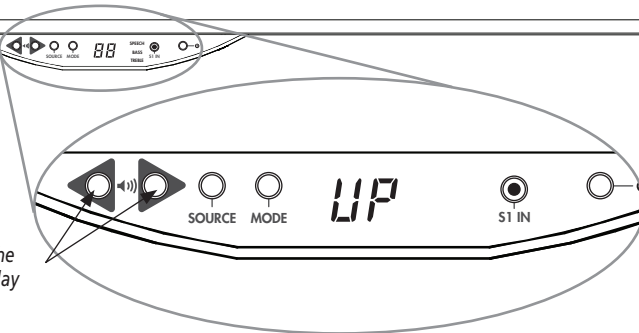
Step 2

Apply included inverse control panel label.



Step 3

Turn unit over. Make sure unit is in STANDBY. Press and hold both the UP and DOWN Volume keys at the same time until the Central Display reads "UP" as shown. To switch orientation back, simply perform this operation again.



Connecting Your System

The OSB-1 offers a variety of both analog and digital audio source inputs. Each were designed for particular uses.

NOTE: For optimum audio performance, we recommend that you use a source with a digital output (either optical Toslink or coaxial) connected directly to the OSB-1. It is particularly important to directly connect digital A/V sources (such as DVD players and cable boxes), as routing through a TV may cause loss of the multi-channel encoding used to generate DTS and Dolby Digital.

Digital Audio Inputs

The OSB-1 offers three digital inputs. A digital coaxial (RCA) audio input for Source 2 (S2) and optical (Toslink) audio inputs for Sources 3 and 4 (S3 and S4). There is no audible benefit of one connection over the other. Different source components simply have different types of output connections. See Figures 7 and 8 for connection diagrams.

Analog Audio Inputs

The OSB-1 offers two analog inputs. The mini-jack analog audio connection for Source Input 1 (S1) on the front of the unit is designed for quick and easy connection of a portable audio device such as a mobile phone, iPod or MP3 player. See pg. 10 for diagrams.

The stereo RCA analog audio connection for Source Input 5 (S5) on the rear of the unit are designed for audio sources which don't have digital audio outputs. See pg. 10 for diagrams.

NOTE: When using an analog input, the additional channels required for multi-channel output will be interpolated by the DSP (Digital Signal Processor) in the OSB-1.

Turning Off Your TV's Internal Speakers

We recommend that you turn off your TV's internal speakers. It's impossible to give specific instructions on how to turn off the speakers for every TV, but here is a way to do it that covers many of the TVs out there.

1. On your TV remote control, find a "menu" or "setup" button.
2. Press this button. You should see an on-screen menu.
3. Next, look for an option to control audio functions and select it.
4. The setting to turn off your TV's internal speakers should be here.

Power Supply

A separate power supply and power supply cable has been included with your system. After the audio connections have been made, connect the cable from the power supply to the 24VDC jack in the rear of the OSB-1. Then connect the power supply cable to power supply and plug the cord into an active outlet.

NOTE: The power supply provided is capable of working with voltages from 100-240 volts.

Figure 7 Simplest Connection Method

The simplest method to connect your OSB-1 is from the digital output on your TV. This would allow the sources to be switched at the TV. Unfortunately many TV manufactures down convert their digital output signal and this removes the DTS and Dolby encoding used to generate detailed multi-channels. Although your system will function you will not receive the full impact provided by using DTS and Dolby encoded signal. Please consult the instruction manual for your TV or contact the manufacturer before using.

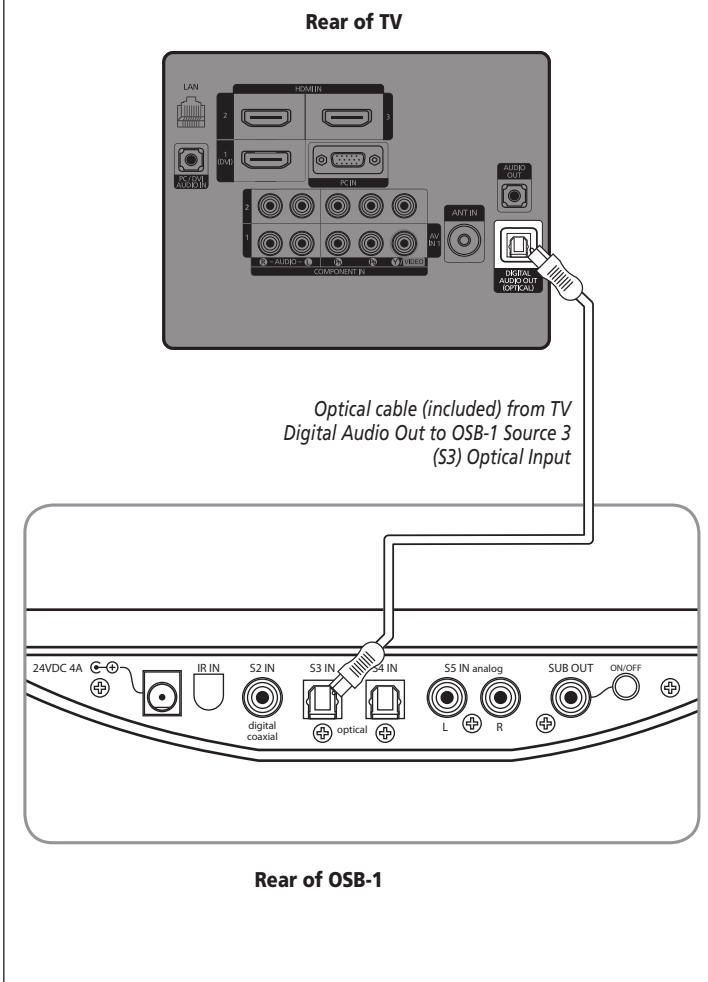


Figure 8 Optimum Audio Performance Method

For optimum performance connect all your sources directly to the OSB-1 using the digital output from each source. This will guarantee the highest sound quality and reduce the risk of signal loss.

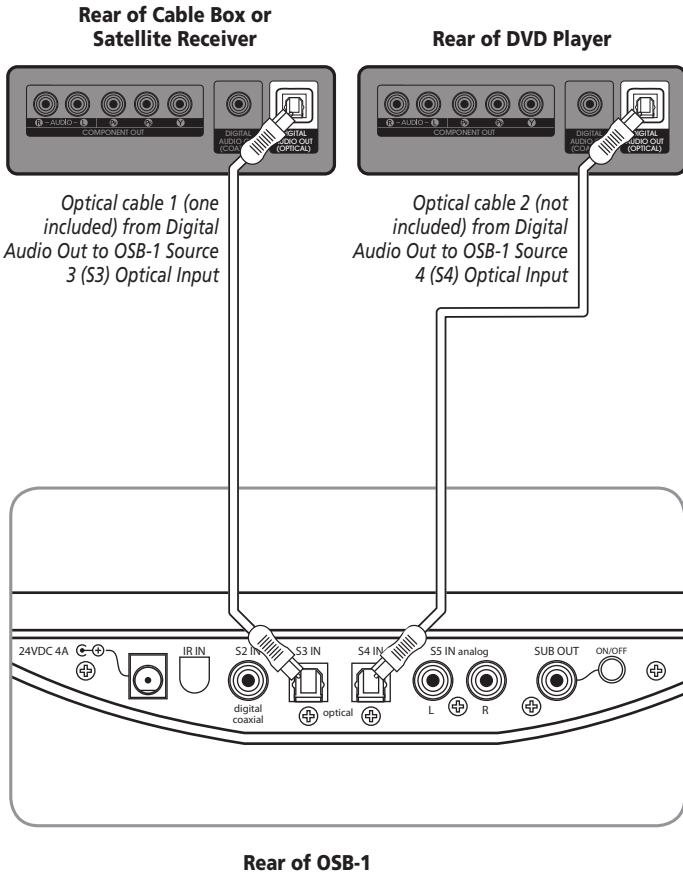


Figure 9 Mobile Device Connection via Analog mini-jack

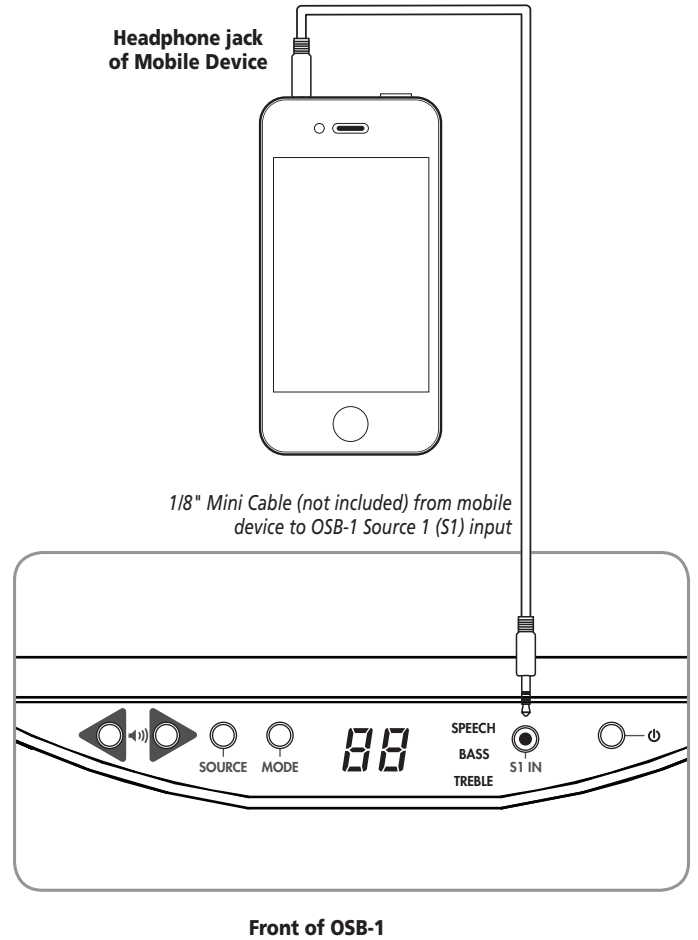
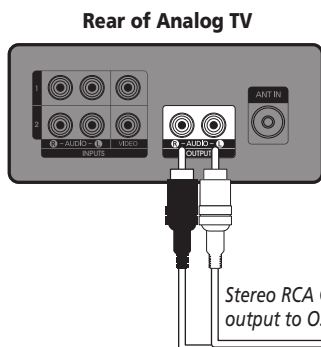


Figure 10 TV Connection via Analog RCA



Modes

Surround Modes

This product was designed to take advantage of today's advanced digital sound recordings. The system automatically detects both DTS and Dolby soundtracks and processes the signal using sophisticated Digital Signal Processing (DSP). You have a choice of 4 modes for listening.

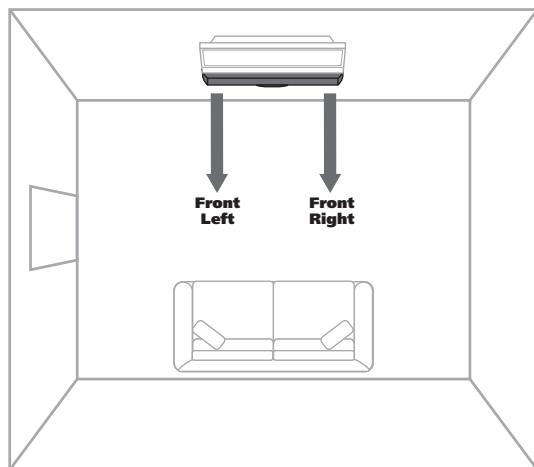
As you cycle through the Modes, the central display will show the current mode for a brief period.

Speech Enhancement Mode

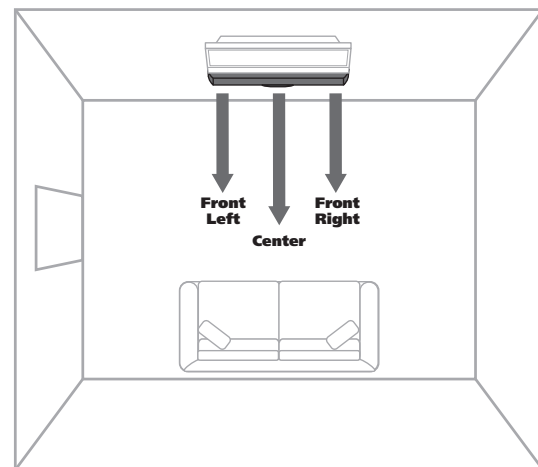
The OSB-1 has a special Speech Enhancement Mode. When engaged, the DSP boosts the frequency range where human voices are reproduced and directs more of those frequencies to the front center image. This effect gives you the ability to boost the intelligibility of speech in situations where there is a lot of background noise such as those generated by a running air conditioner or dishwasher.

NOTE: Although Speech Enhancement can be engaged in all Surround Modes, it is more effective the less surround effect you use. It is most effective in 2-Channel and least effective in 5-Channel Expanded.

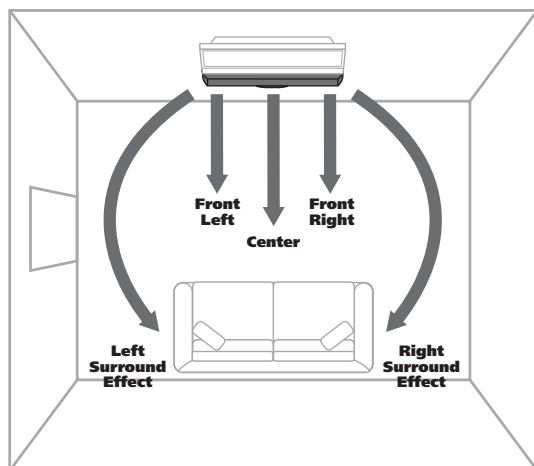
Figure 11 Surround Modes



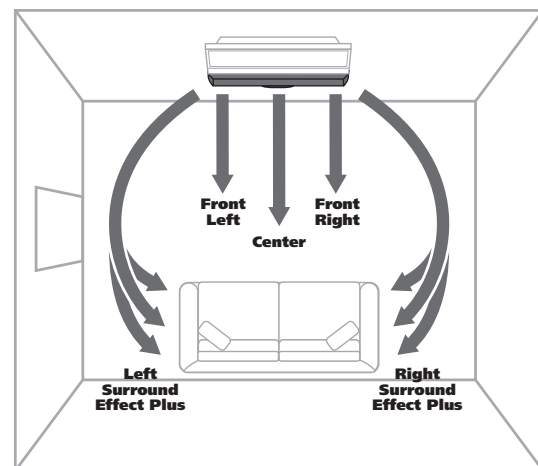
2C: 2-channel mode is like a traditional stereo music system, optimized for pure audio accuracy.



3C: 3-channel mode has no virtual surround effects and strong vocals. Use this setting if vocal clarity is very important to you.



5C: 5-channel mode has moderate virtual surround effect and moderate vocals. Most people prefer this setting for most program material.



5E: 5-channel Expanded has strong virtual surround effect and moderate vocals. Many people prefer this setting when watching movies.

Troubleshooting

My OSB-1 was responding to commands, but now it isn't. What should I do?

In this rare event, simply unplug the power cord from the rear of the unit, wait 10 seconds, and then plug the power cord back in. This should restore control.

The bar does not power on.

- Ensure you have plugged the power supply into a live wall outlet.
- Ensure that all components of the power supply are connected properly.
- Ensure the power supply is properly connected to the bar power input.
- Ensure that the Battery Tab has been removed from the remote.

No sound from the bar.

- Check that the TV or cable box is providing a signal. Check that the bar is receiving power and is turned on.
- Turn up the volume of the bar.
- Check the input cables to make sure they are connected securely.
- Turn up the volume of your television or cable box.
- Check mute status: Is the central display showing "--"? If so, press the Mute button on the remote or press the Standby/Mute key on the OSB-1.

The sound coming from the bar is distorted.

- Check the signal source to ensure the distortion is not coming from there.
- Audio processing (see FAQ's for further information)—there may be audio processing occurring prior to reaching the bar. Disable this processing.

F.A.Q.

My TV does not have a digital output. How do I connect my audio?

You have several options for connecting your audio:

- Use the optical or coaxial digital output of your cable/satellite box and connect directly to the OSB-1.
- Use the headphone output of your TV and connect directly to the OSB-1 using a 1/8" (3.5mm) stereo phono cable to Stereo RCA cable (not provided).
- Use the RCA audio outputs (white/red pair) on your TV and connect directly to the OSB-1 using a stereo RCA cable (not provided).

What if my provided optical cable is too short?

We did our best to provide an adequate sized cable; however, there might be a few setup instances in which the cable may be too short. If that is your situation, your local electronics store will have cables that meet your required length.

My audio sounds strange and distorted.

Your OSB-1 requires a clean, unaltered signal for proper audio performance. If the sound from your OSB-1 is strange or distorted, then check the audio menus of whatever source(s) are connected to your OSB-1 and make sure any audio processing is turned off.

The best results will be attained by using one of the OSB-1's digital inputs. If given the option, choose either the DTS or the Dolby Digital signal on your source equipment for optimum performance.

How do I control the OSB-1?

There are three ways to control your OSB-1:

- Use the buttons on the front of the bar.
- Use the provided remote control.
- Program your existing remote to control the OSB-1.

To contact Customer Service:

If you have a question or comment contact us. Call Outlaw Audio Customer Service: 866-OUTLAWS (688-5297) or 866-OUTLAWA (688-5292). (M-F 9-5 EST) or via our online support at <http://support.outlawaudio.com>.

Advanced Operations

We recommend that you adjust your tone controls via remote from your listening position. However, you can access all tone controls, Speech Enhancement, and Mute from the front of the OSB-1. That way, in the event you lose your remote, you can still access every command. There are also other optional features that can be accessed using the Control Panel buttons.

Control Panel Tone Controls

For all adjustments, the Central Display will show the level of adjustment. To adjust Tone Controls from the front of the OSB-1 unit:

1. Press and hold the **MODE** button on the Control Panel until the word **TREBLE** illuminates.
2. Release the **MODE** button and use the **VOLUME UP** and **VOLUME DOWN** keys to adjust.
3. Press the **MODE** button again to access **BASS** Controls and adjust in a similar manner.

NOTE: For **BASS** and **TREBLE** adjustments, tone can be adjusted from "-8" (-8dB) to "8" (+8dB) where "0" represents flat.

4. Press the **MODE** button once again to access the **SPEECH Enhancement** feature. Press **VOLUME UP** or **DOWN** to toggle speech enhancement on/off.

NOTE: For **SPEECH Enhancement**, display will read "SP" then "On" (for Speech Enhancement On) or "SP" then "OF" (for Speech Enhancement Off).

5. Repeated presses of the **MODE** button will cycle through the available adjustments.

Subwoofer Output

The OSB-1 was designed to provide deep bass extension without requiring an additional powered subwoofer. However, if you want to add extra bass impact and extension, the OSB-1 offers a Sub-Out. When the subwoofer is added, the system automatically adjusts the frequency range sent to the front channels so the power is not wasted reproducing effects in the subwoofer region.

If you are using a separate subwoofer, it is necessary that you turn on the Subwoofer Output. Unit must be in **STANDBY**. Press and hold Sub Out On/Off button on rear of Connection Panel for 3 seconds. Watch Central Display for confirmation of changes: "S1" means Sub On, "S0" means Sub is Off.

Front Panel Controls Disable aka "Parental Lock"

If your OSB-1 is mounted in a position where small children can reach it or if you simply don't want anybody adjusting the OSB-1 from the front panel, we offer a hidden "Parental Lock". To activate this feature, first make sure that the unit is in **STANDBY**. Then press and hold the **SOURCE** button (on the front Control Panel) and the **SUB OUT ON/OFF** button (on the rear Connection Panel) simultaneously. The Central Display will confirm the change as follows: "Fd" means Front Disabled, "FE" means Front Enabled.

Restore Factory Defaults

To reset all setting to factory default. Press and hold the following 3 keys simultaneously for 5 seconds: **SOURCE**, **VOLUME UP**, **VOLUME DOWN**.

Remote Commands

This is a complete list of remote codes that can be used to control the OSB-1. These codes may be used by custom integrators to allow more advanced integrated systems remotes to control the OSB-1. This list includes discrete codes for many functions not available on the standard system remote or universal remote controls.

NOTE: The code structure is "NEC," type custom code 40H, 40H

OSB-1 Command	Code
Power on/off toggle	00H
Power on	03H
S1 input	0AH
S2 input	F2H
(spare)	CAH
S3 input	D2H
S4 input	32H
S5 input	72H
voice mode toggle	01H
mute off	28H
mute on	52H
5E mode	62H
5C mode	A2H
3C mode	92H
2C mode	E2H
mode cycle 2C-5E	AAH
input cycle S1-S5	04H
voice on	12H
voice off	6AH
power off	18H
Volume +	A8H
Volume -	68H
mute toggle	48H
Treble +	78H
Treble -	F8H
Bass +	02H
Bass -	82H

Care of Your Speaker

Clean your cabinet using a soft, lint-free cloth. If you wish, you can slightly moisten the cloth with plain water. Do not use any other cleaning agents or chemicals. Be careful not to get any water on the driver cones or tweeter domes. After carefully removing the grilles from the speaker, gently clean them with a very slightly damp, lint-free cloth. To do so, gently pry the grille free from the cabinet starting at both ends. Continue to gently pry the grill off moving towards the center of the cabinet. Do not use a tool or pick as this may damage the cabinet.

Avoid placing your speakers in direct sunlight or near a source of heat that may, over time, damage the finish.

IMPORTANT: SAVE YOUR BOX! *If you can do so, save the carton, packing pieces, and plastic bags that came with your speaker. They will be useful in case you move or have to ship your loudspeaker for any reason. In any case, save all packing materials until you are certain that the system has suffered no damage in shipment. If you find such damage, either visible or internal, contact your dealer immediately.*

Specifications

Specifications	OSB-1 Outlaw Sound Bar
Type:	Powered 2/3/5 channel soundbar
Inputs (rear panel):	(2) Toslink optical connectors, (1) Digital co-ax, (1) analog L/R
Inputs (front panel):	(1) analog mini jack for iPod, MP3, etc.
Drivers:	(2) 4" woofers (2) ¾" tweeters
Frequency Response:	47Hz-20kHz +/-3dB
Crossover frequency:	4kHz
Dimensions (W x H x D):	42¾ x 5½ x 6½" (1086 x 140 x 166mm)
Weight:	20lbs (+1lb with power supply)
Power Requirements:	24VDC, 4.0A (by supplied AC adapter)
AC Adapter:	100-240VAC, 50/60Hz, 100W Max
Remote Control Battery:	CR2025

Outlaw Audio and the Outlaw Audio logo are a registered trademarks of Outlaw Audio, LLC.

H-PAS and the H-PAS logo are trademarks of Atlantic Technology International, Corp.

U.S. Patent: 8,094,855 B2 H-PAS is a trademark of Atlantic Technology International, Corp. All rights reserved.

Manufactured under license from Dolby Laboratories. Dolby, Pro Logic, and the double-D symbol are trademarks of Dolby Laboratories.

Manufactured under license under U.S. Patent Nos: 5,956,674; 5,974,380; 6,487,535 & other U.S. and worldwide patents issued & pending. DTS, the Symbol, & DTS and the Symbol together are registered trademarks & DTS Digital Surround and the DTS logos are trademarks of DTS, Inc. Product includes software. © DTS, Inc. All Rights Reserved.

The contents of this manual are Copyright ©2012 by Outlaw Audio, LLC and may not be duplicated or reproduced by any means, whether physical, electronic or otherwise without prior written consent from Outlaw Audio, LLC.

Specifications are those in effect at the time of printing. Outlaw Audio, LLC. reserves the right to change specifications or designs at any time without notice without obligation to modify existing units.

Outlaw Audio Limited Warranty

This warranty protects the owner of the Outlaw OSB-1 sound bar (the PRODUCT) for three (3) years from the date of purchase.

This warranty covers all defects in material and workmanship with the following specific exceptions. These are:

- Damage caused by improper installation or adjustment
- Damage caused by accident, unreasonable use or neglect
- Damage from failure to follow instructions contained in this Owner's Manual
- Damage from the performance of repairs by someone not authorized by Outlaw Audio
- Any unit on which the serial number has been defaced, modified, or removed
- Damage occurring during shipment
- Units which have been altered or modified in design, appearance or construction

This warranty covers only the actual defects within the PRODUCT itself. IT DOES NOT cover costs of installation in (or removal from) a fixed installation, or normal set-up, claims based on any misrepresentation by the seller, or performance variations resulting from installation related circumstances such as signal quality, AC power or incompatibilities with speakers and/or other system components.

During the warranty period, Outlaw Audio will, at its option, either repair the defect, or replace the defective product, or the defective parts, or components thereof at no charge to the owner for parts and labor covered by this warranty.

If necessary repairs are not covered by this warranty, or if a unit is examined which is not in need of repair, you will be charged for the repairs and/or the examination. If non-warranted repairs are needed, we will notify you of the estimated cost and ask for your authorization to perform said repairs.

You must pay shipping charges incurred in getting your Product to the factory. We will pay the return shipping charges if the repairs are covered by the warranty. Please save the original shipping cartons as the unit MUST be returned in the original carton and packing.

(Replacement cartons are available at a modest charge.)

If your product needs service, please call Outlaw Audio LLC at 866-OUTLAWS (688-5297) or 866-OUTLAWA (688-5292).

You will need to present the original bill of sale to establish the date of purchase. In the event that the proof of purchase cannot be established with the original receipt, the warranty period shall be determined by the earliest date of manufacture shown on the unit, provided that the serial number label has not been altered in any manner, or by our records relating to that serial number.

In the event that you wish to return your Outlaw sound bar back to us, for any reason, please call to arrange for a Return Authorization Number. This will insure that your problem is discussed with a service technician who will determine if there is a quick solution to your problem.

Outlaw Audio shall not be liable for, in any way responsible for, any incidental or consequential damages of any kind. Some states do not allow limitations on how long an implied warranty lasts and/or do not allow the exclusion of incidental or consequential damages, therefore, the limitations and exclusions stated herein may not apply to you. This warranty gives you specific legal rights; and you may also have other rights which vary from state to state.

THERE ARE NO WARRANTIES GIVEN BY OUTLAW AUDIO WHICH EXTEND BEYOND THE DESCRIPTION GIVEN HEREIN. ANY IMPLIED WARRANTIES OF FITNESS FOR PURPOSE SOLD, MERCHANTABILITY, DESCRIPTION, QUALITY OR ANY OTHER MATTERS ARE LIMITED TO THE TERMS OF THE EXPRESSED LIMITED WARRANTY STATED HEREIN.

Products are sold on the basis of specifications applicable at the time of sales. Outlaw Audio shall have no obligation to modify products once they have been sold.

This warranty is applicable only in the United States.

For applicability in other countries, please call Outlaw Audio.



Outlaw Audio P.O. Box 975 Easton, MA 02334 866-OUTLAWA (688-5292) www.outlawaudio.com